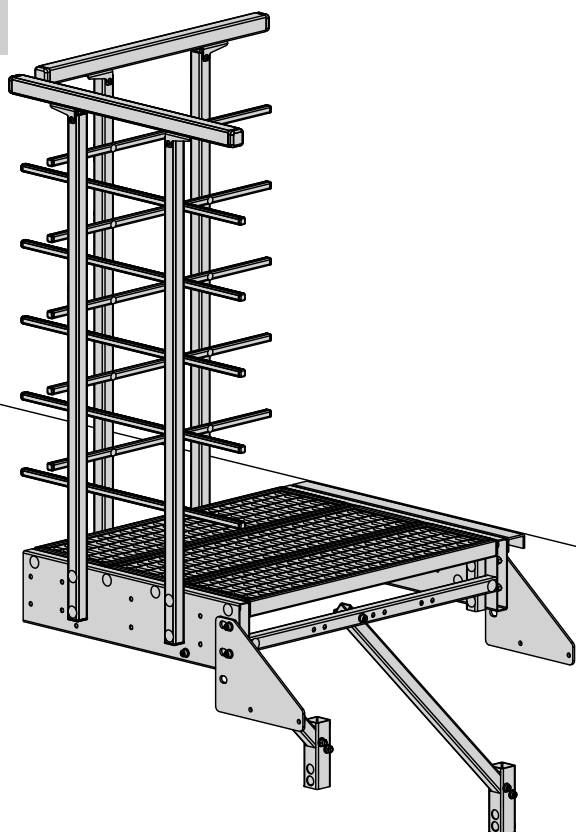
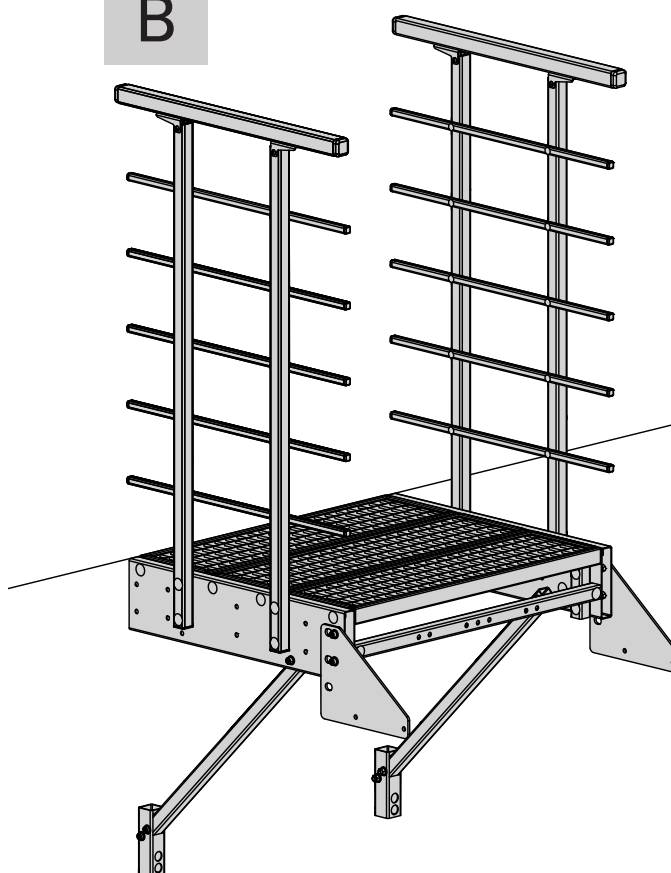


FLEX PODEST GRID

A

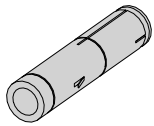


B



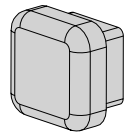
FLEX PODEST GRID

10x



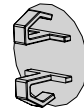
D01 Ø12mm

20x



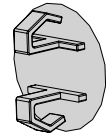
KS08 15x15mm

20x



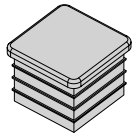
KS09 Ø13mm

54x



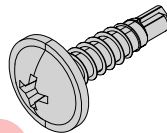
KS10 Ø20mm

4x



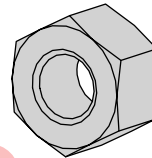
KS16 30x30mm

36x



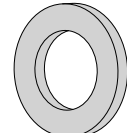
NT07 Ø4.2x19mm

48x



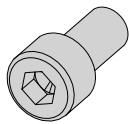
NT24 M8

132x



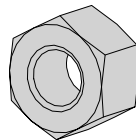
NT26 M8 DIN125A

32x



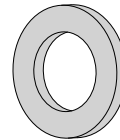
NT42 M8x16mm

8x



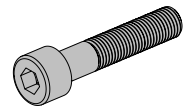
NT45 M6

8x



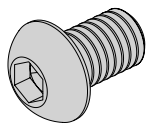
NT50 M6 DIN125

22x



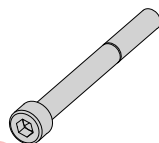
NT54 M8x55mm
DIN6912

8x



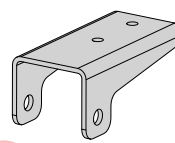
NT68 M6x10mm

2x



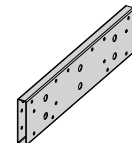
NT87 M8x80 mm

4x



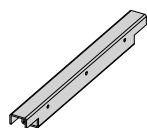
ST125

2x



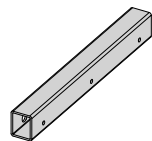
ST150

1x



ST151 60x50x625mm

1x



ST151b 60x50x499mm

2x



ST151c

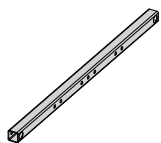
4x



ST152 30x30x115mm

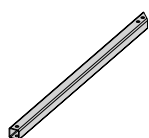
FLEX PODEST GRID

2x



ST153 30x30x716mm

2x



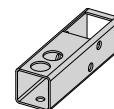
ST154 30x30x693mm

4x



ST155 30x30x1066mm

2x



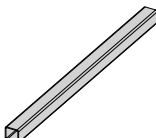
ST156 40x40x140mm

10x



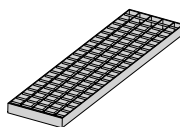
ST157 15x15x625mm

2x



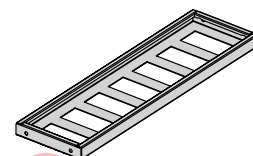
ST158 35x35x625mm

3x



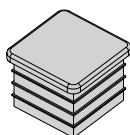
ST165

3x

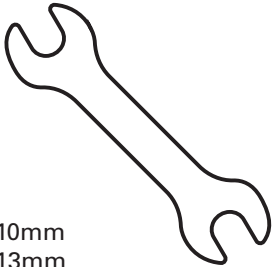


ST165a

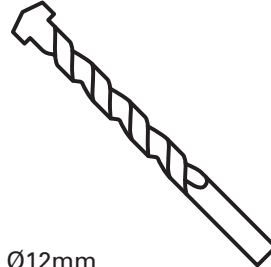
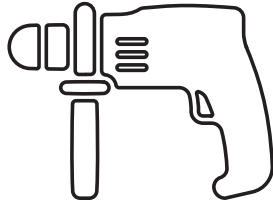
4x



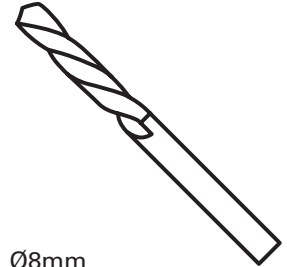
KS14 35x35mm



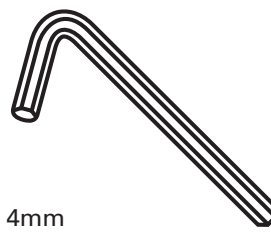
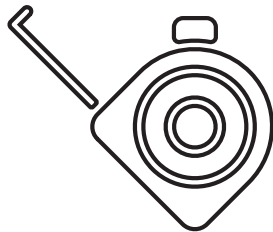
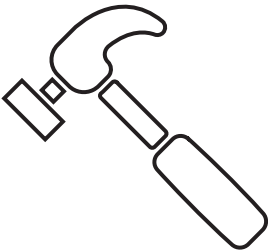
10mm
13mm



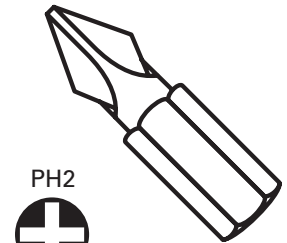
Ø12mm



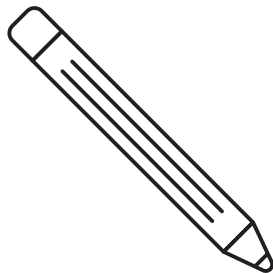
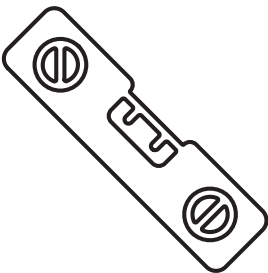
Ø8mm



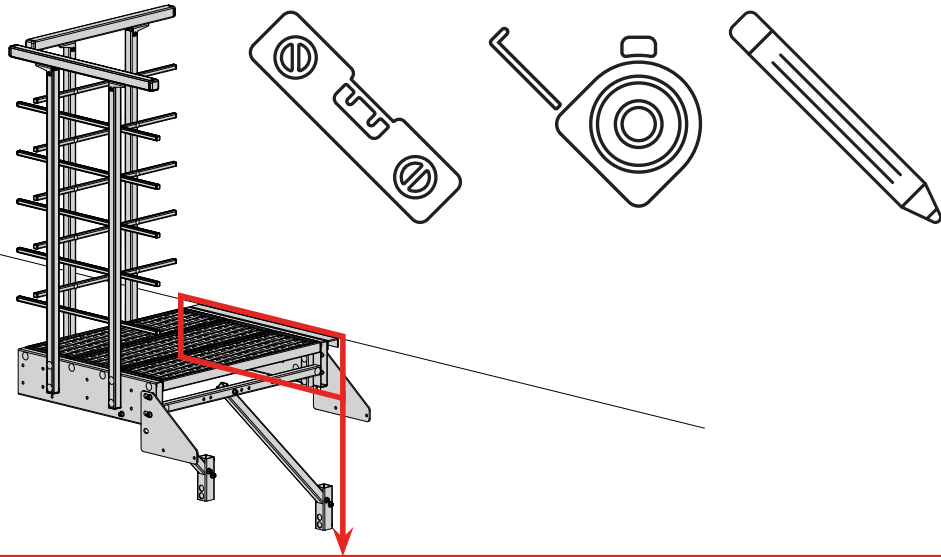
4mm
5mm



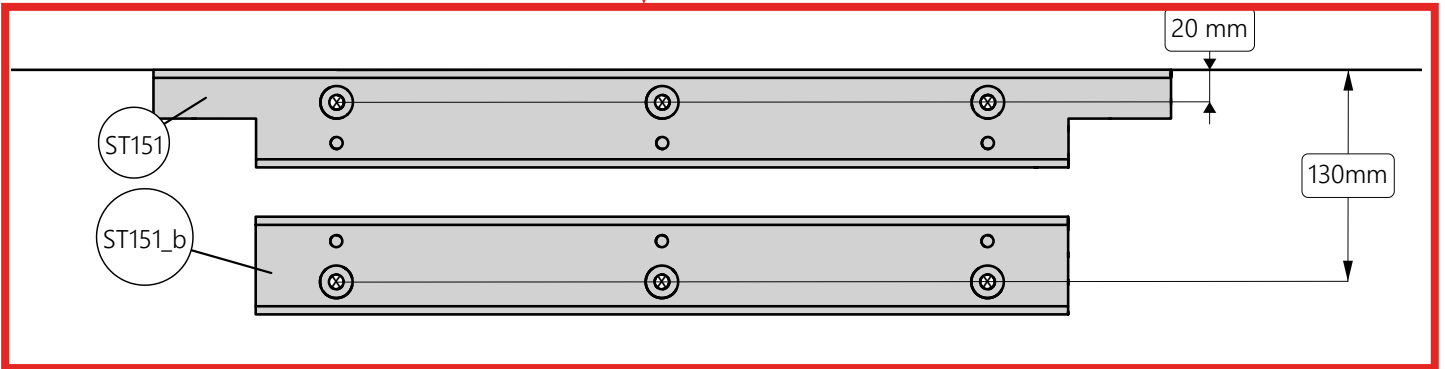
PH2



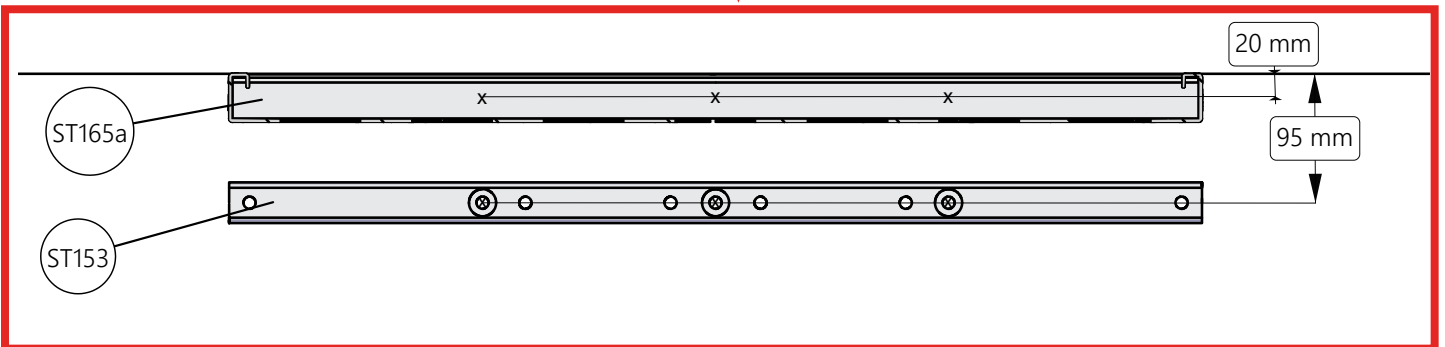
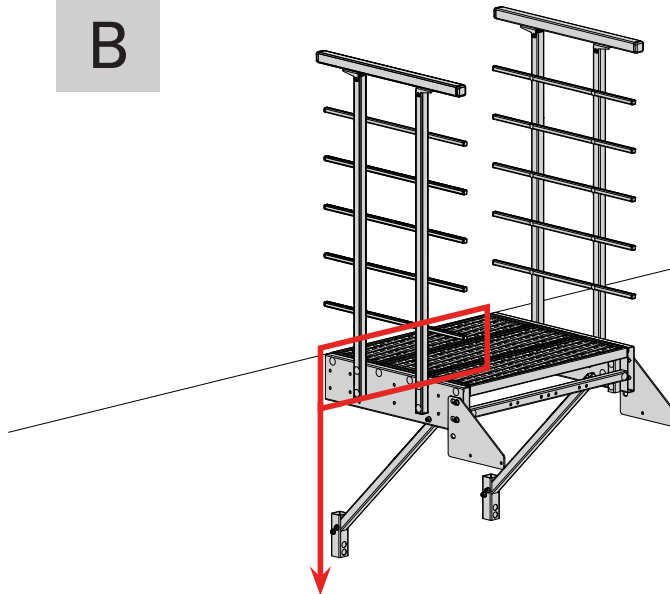
A



1

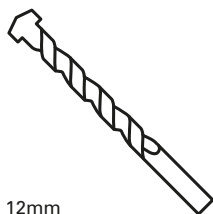


B

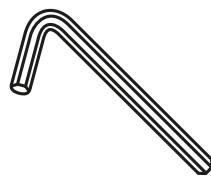


2

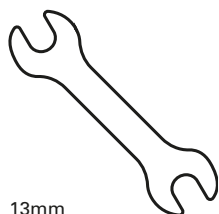
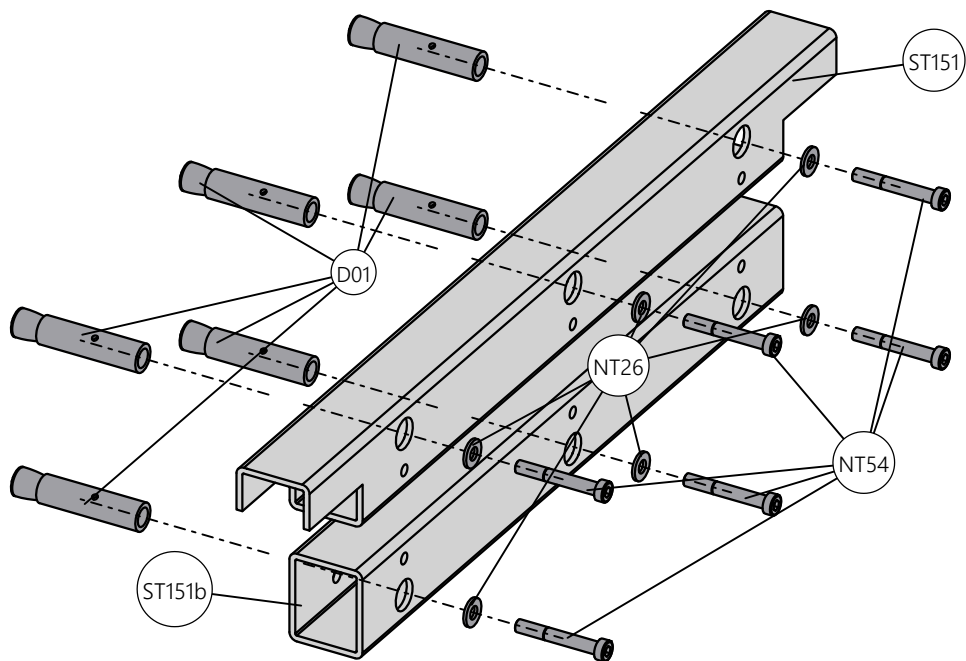
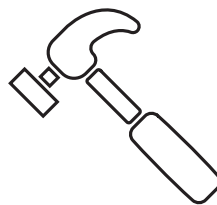
A



12mm



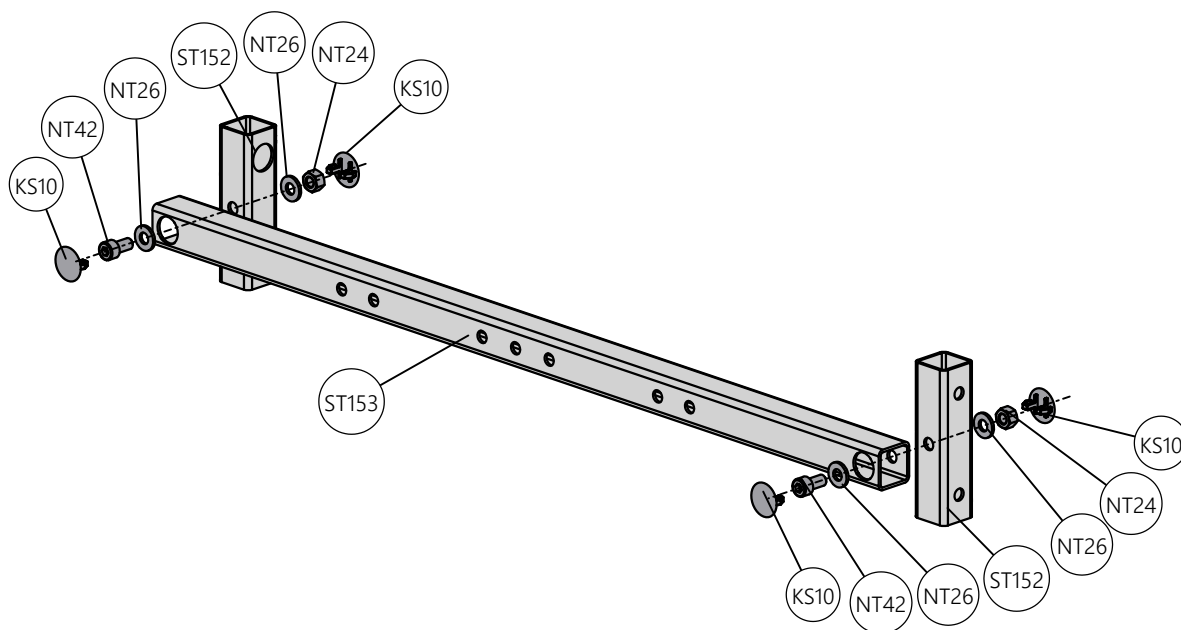
5mm



13mm



5mm



A

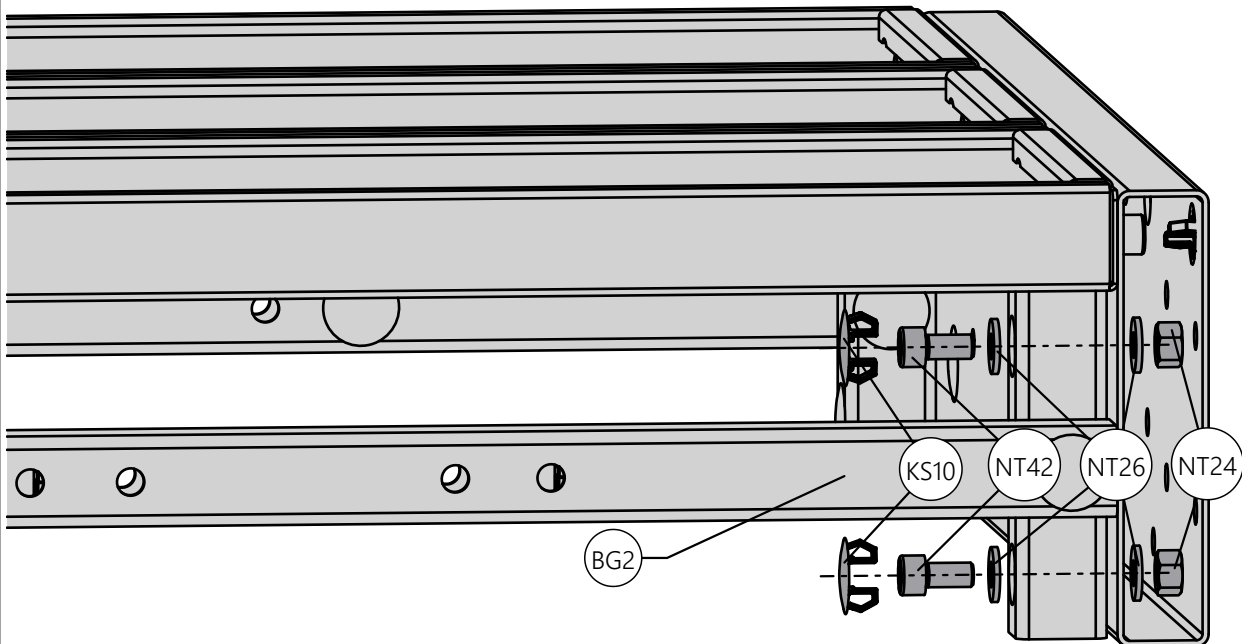
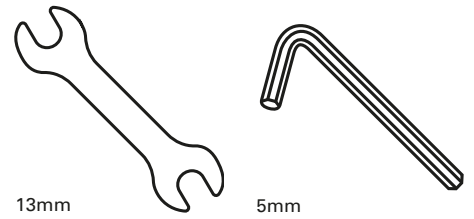
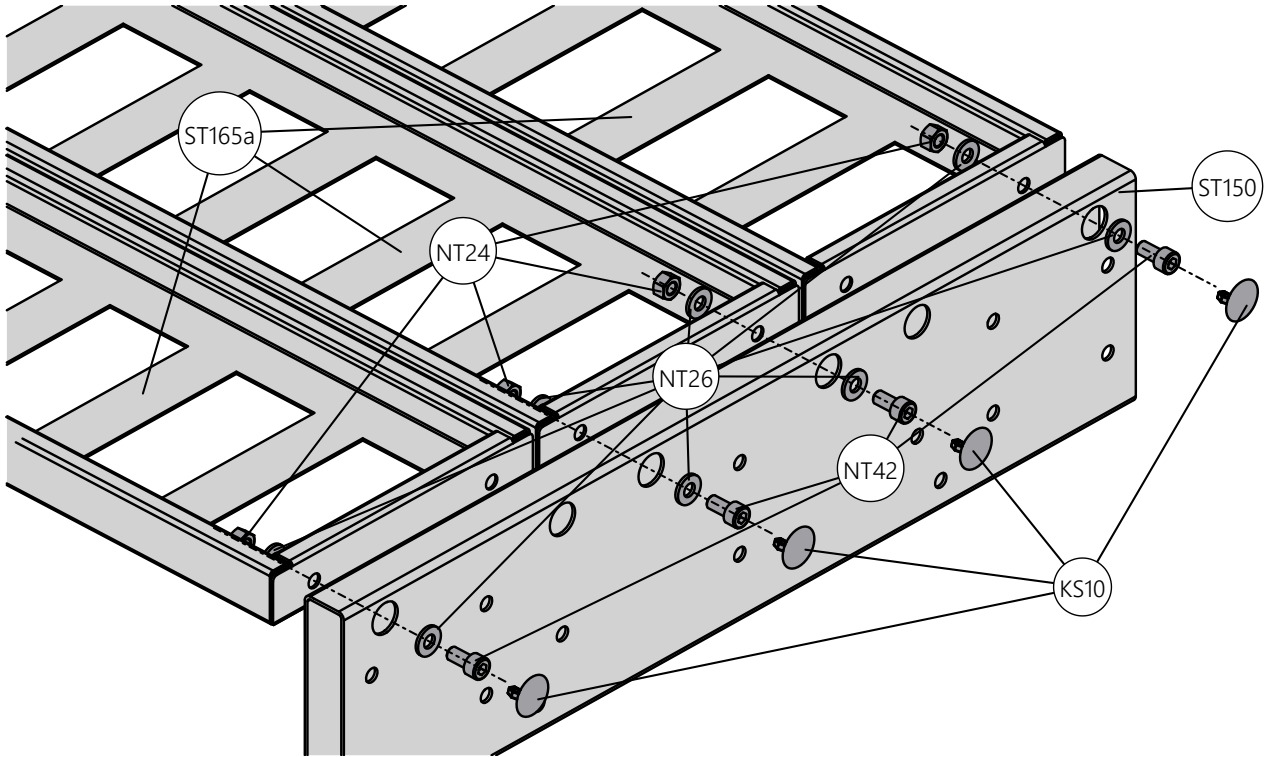
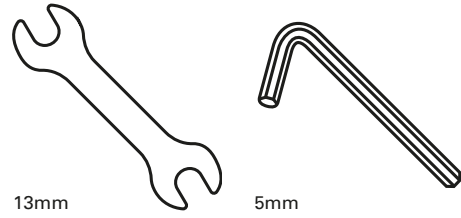
B

3

4

A

B



A

B

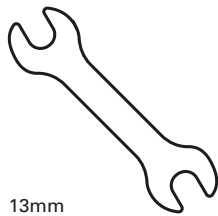
5

6

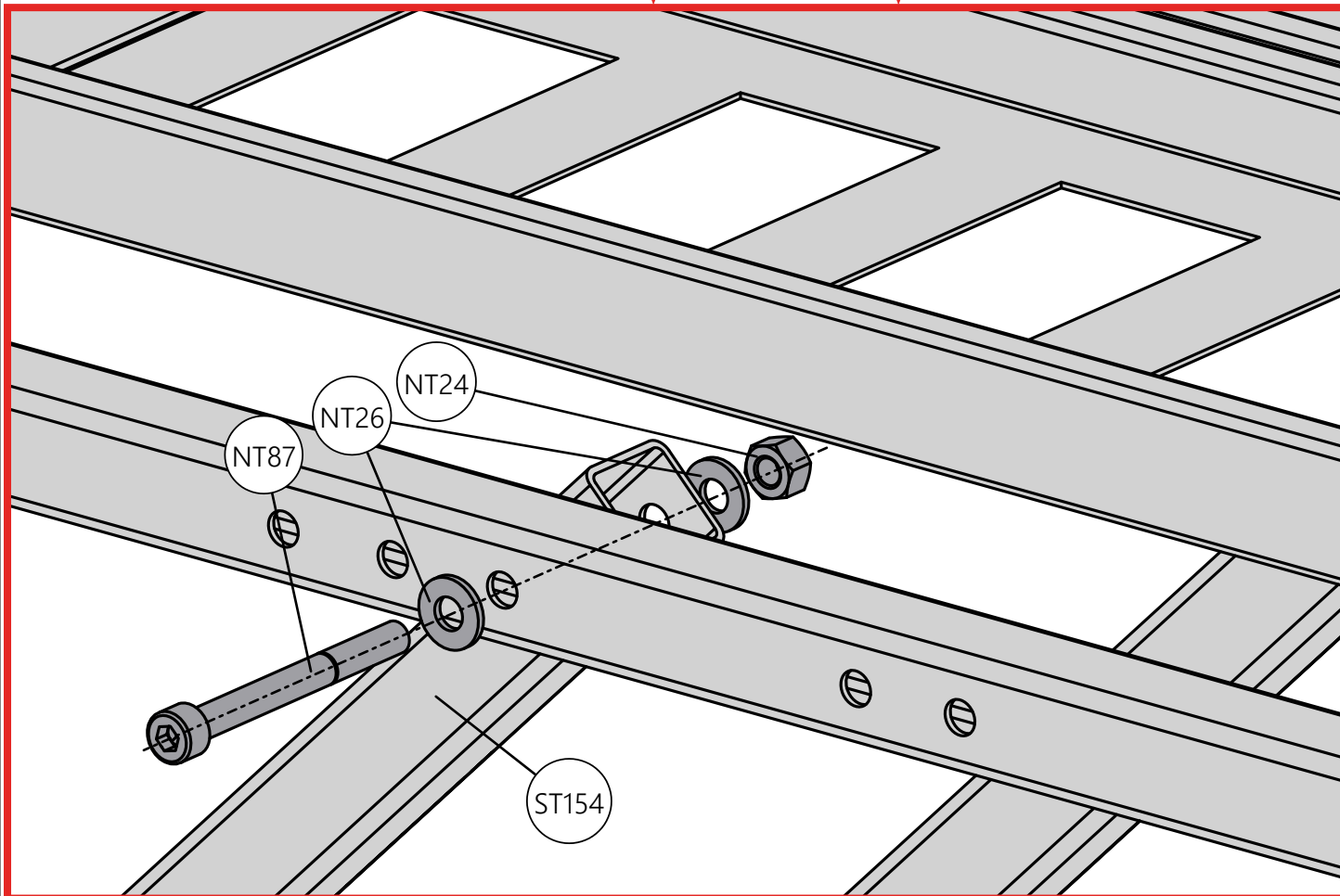
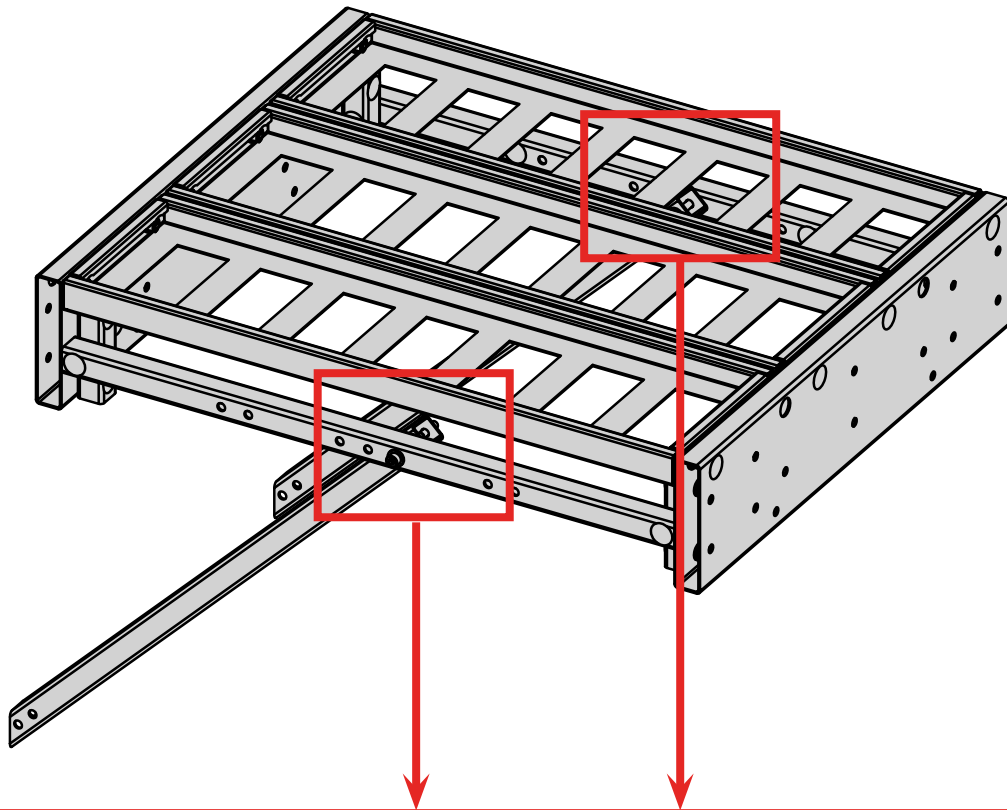
A



5mm

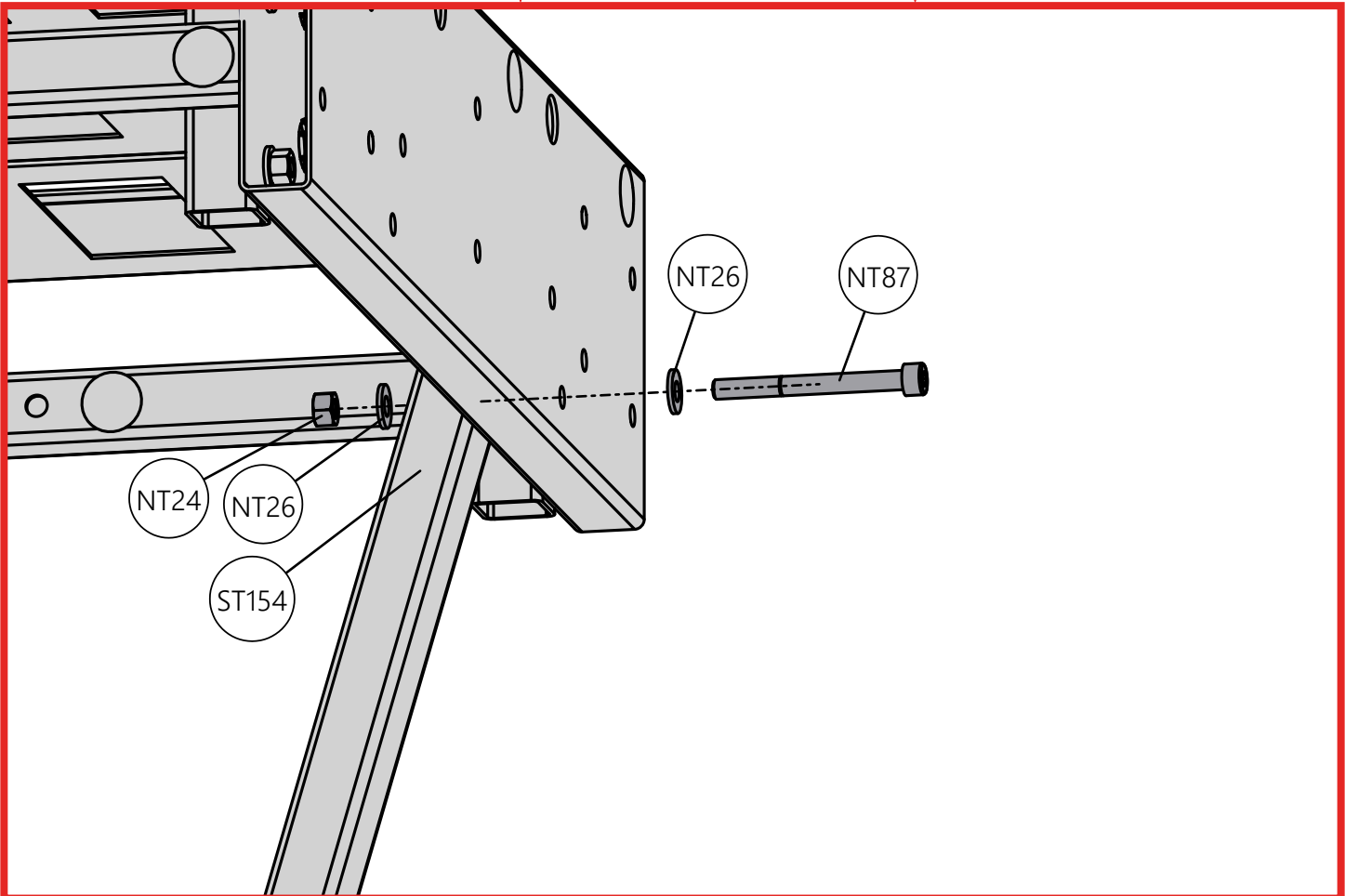
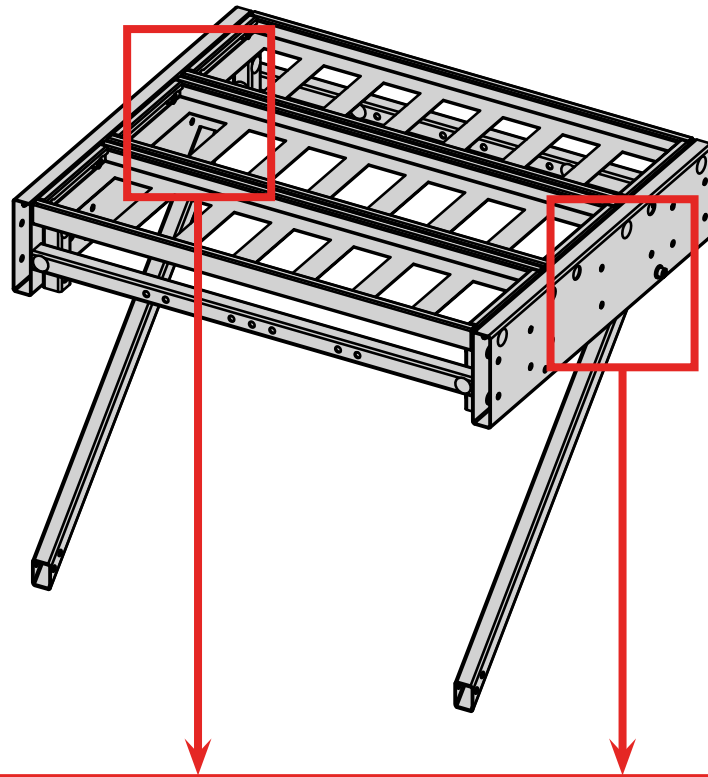
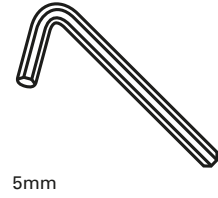
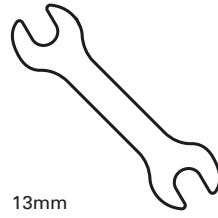


13mm



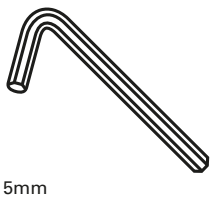
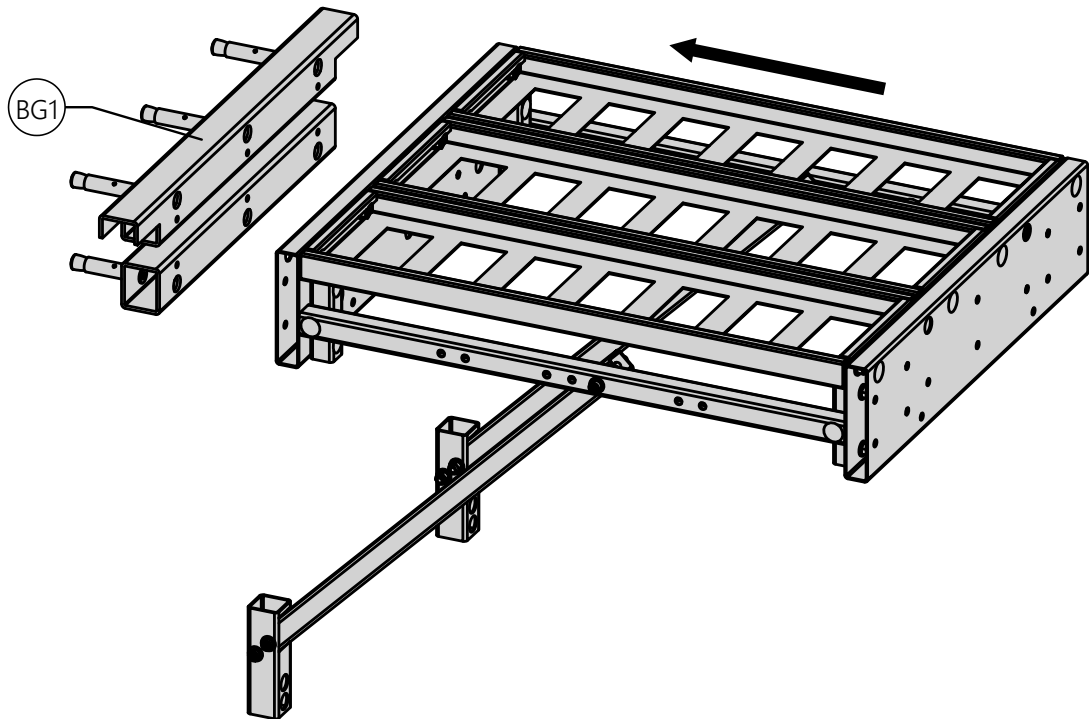
7

B



8

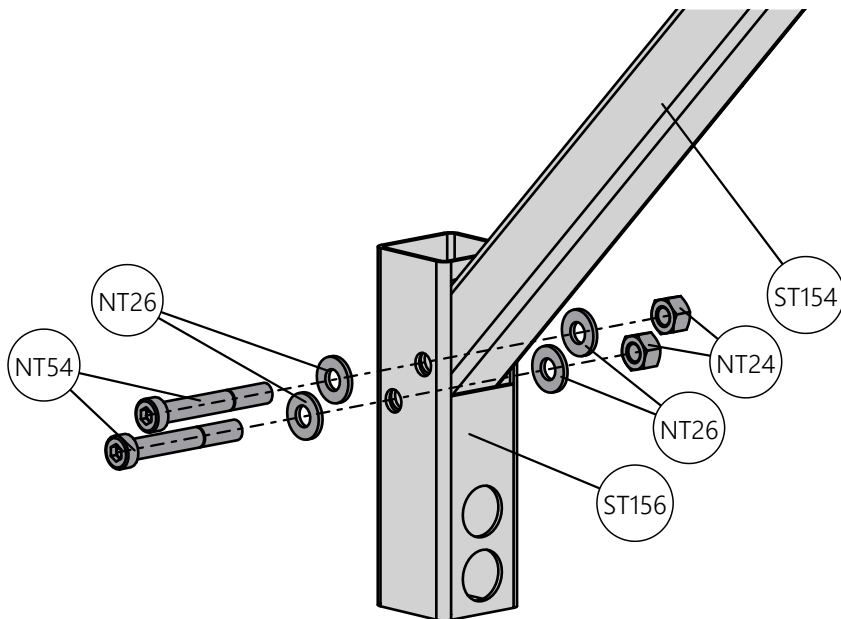
A



5mm



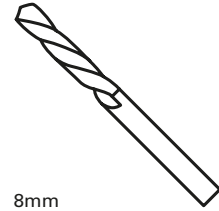
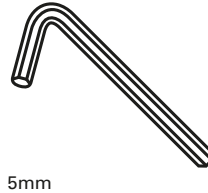
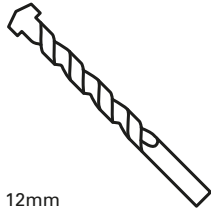
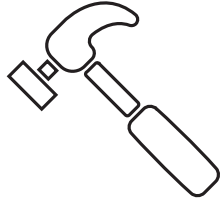
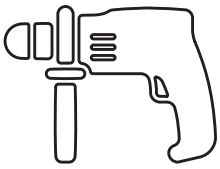
13mm



A

B

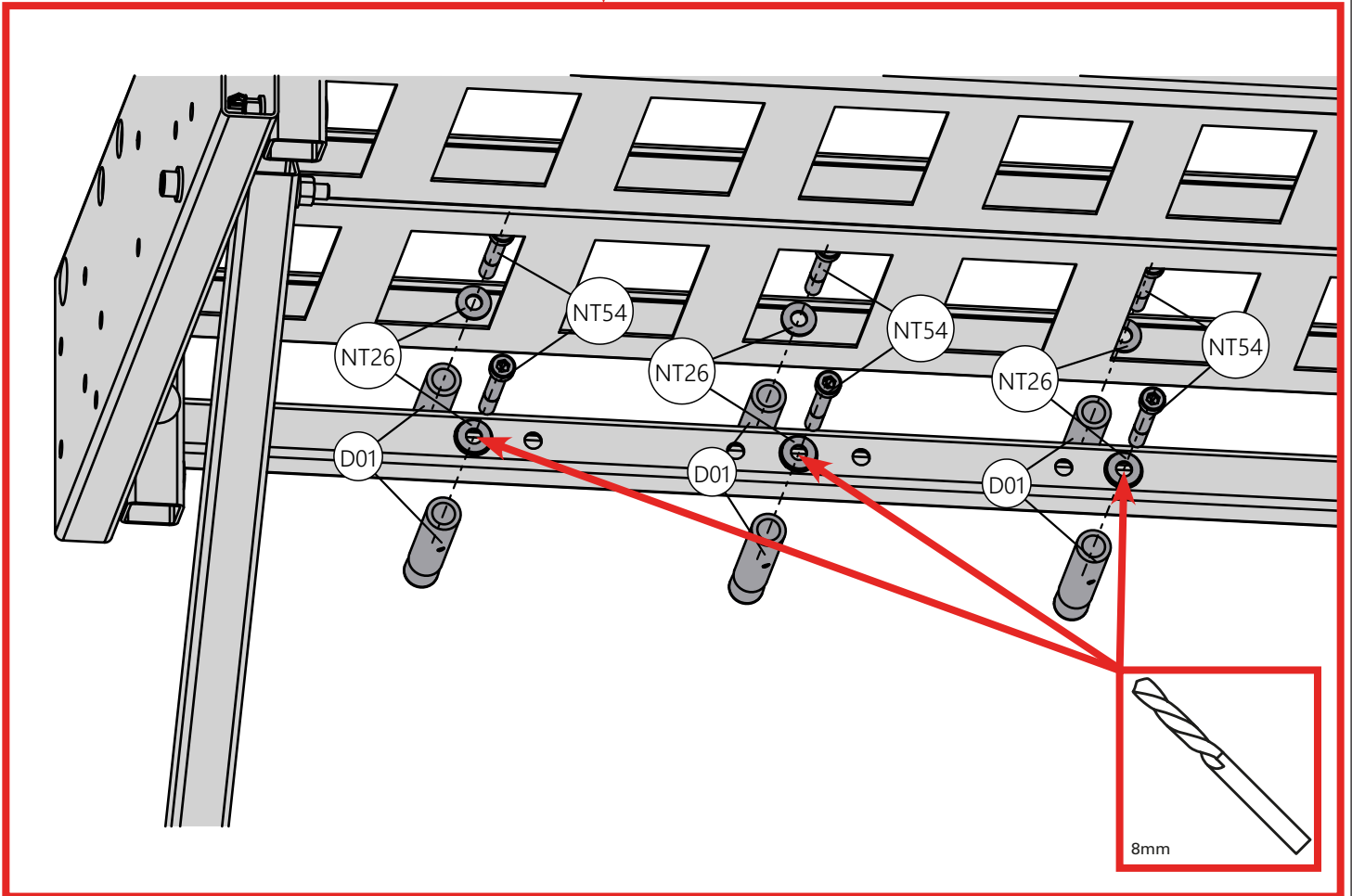
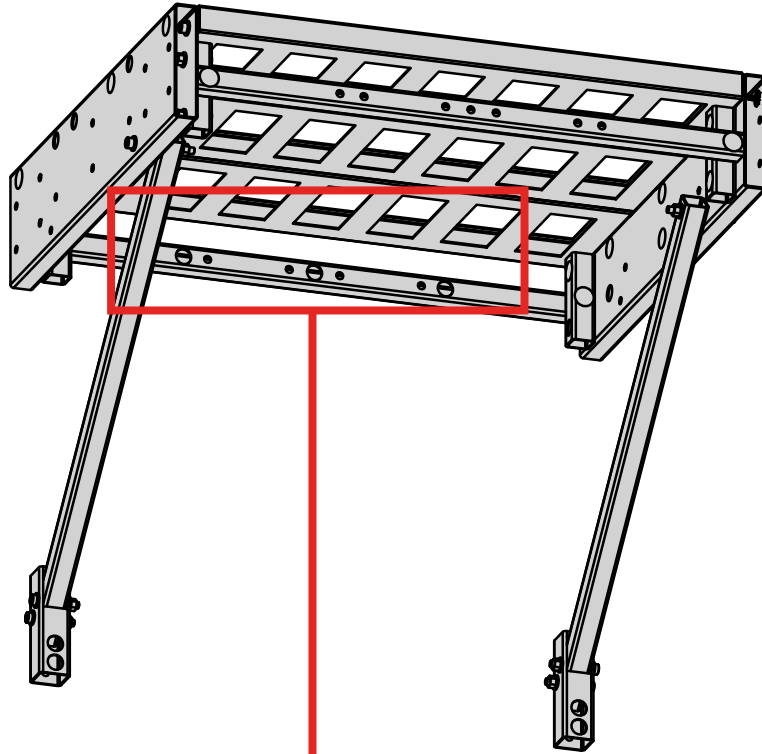
9



12mm

5mm

8mm



8mm

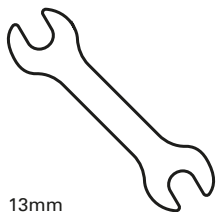
11

A

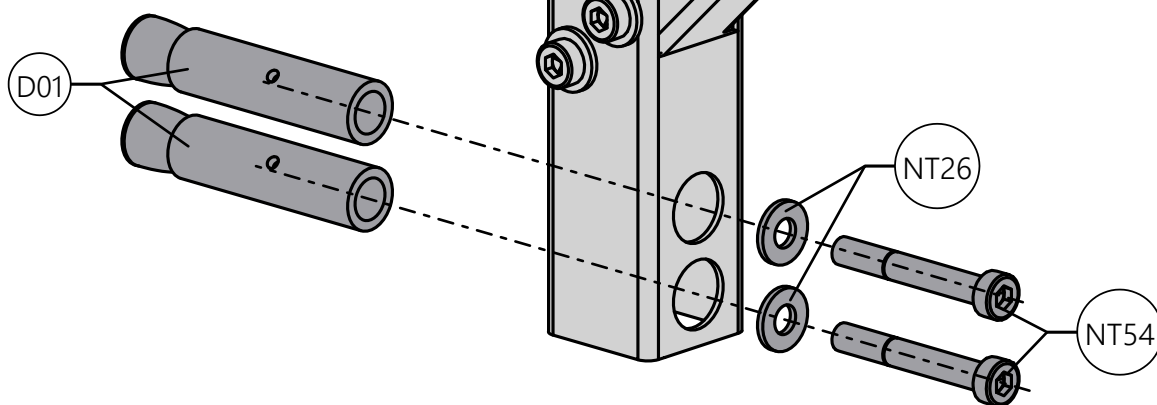
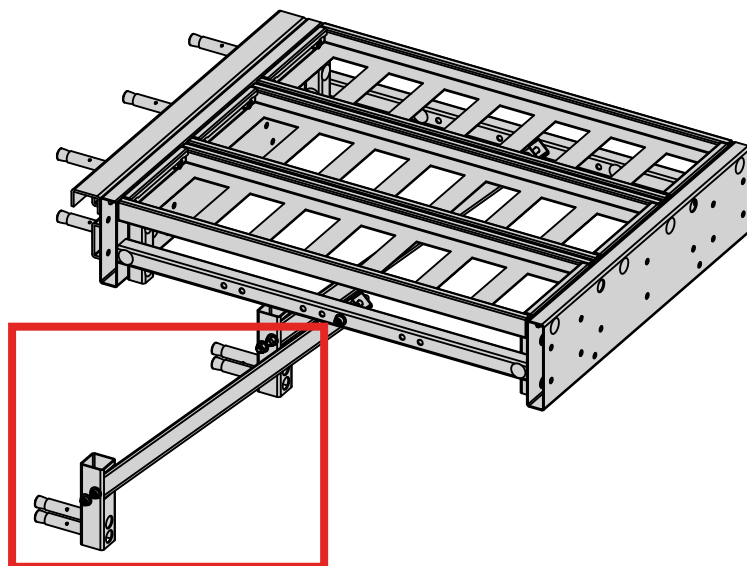
B

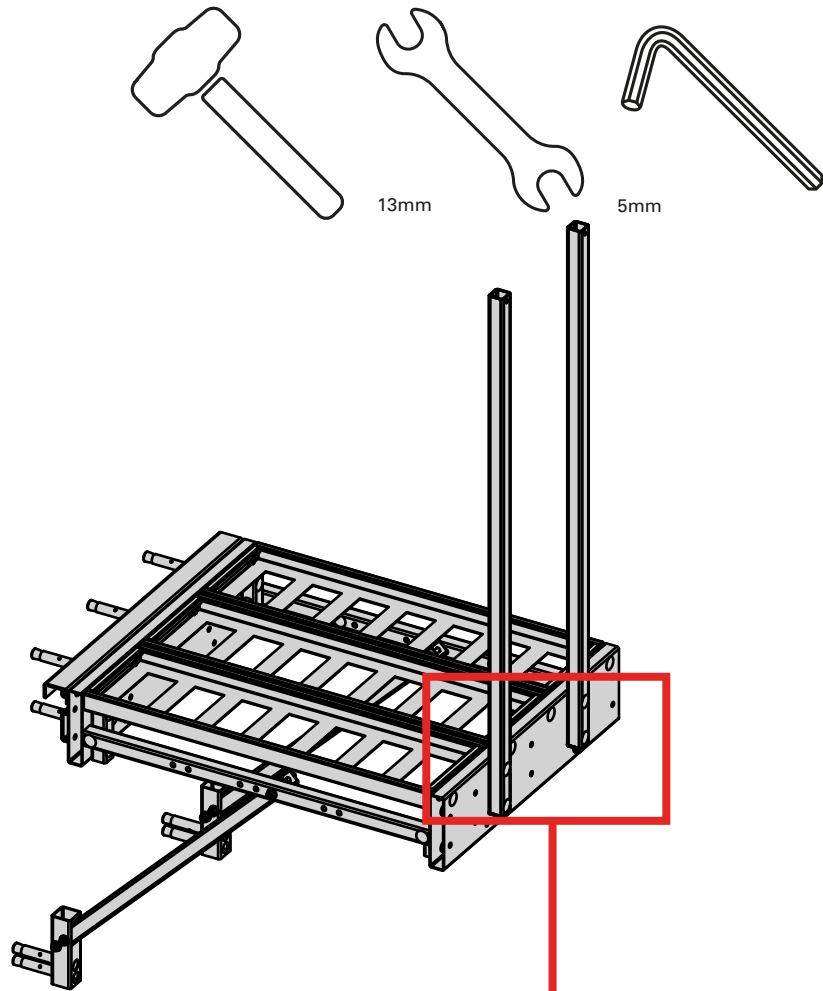


5mm



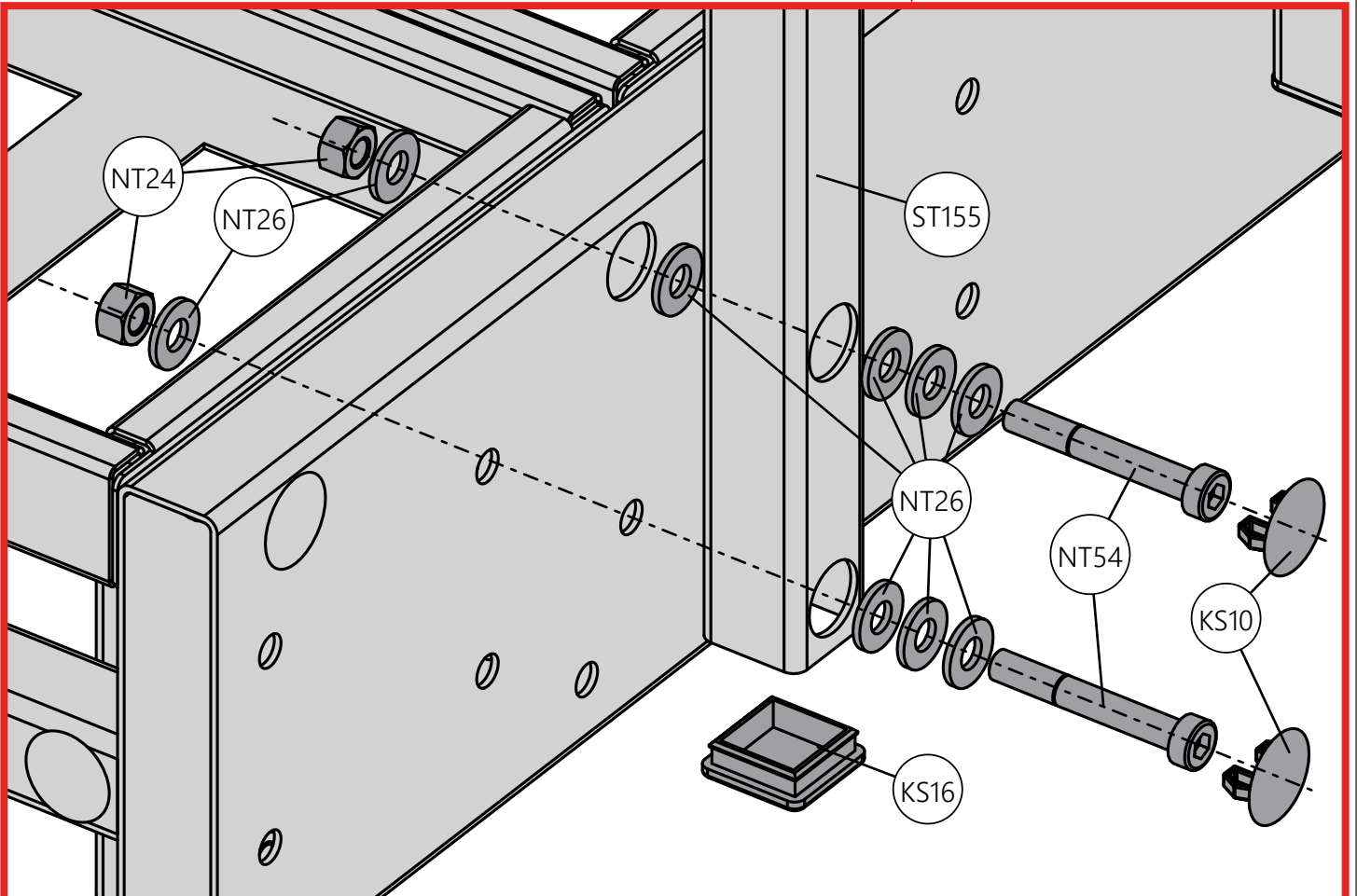
13mm





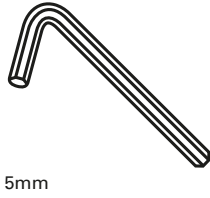
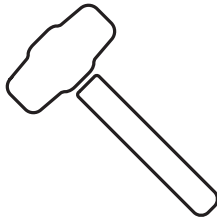
A

B

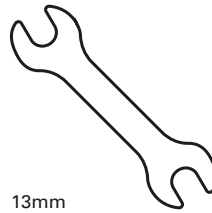


13

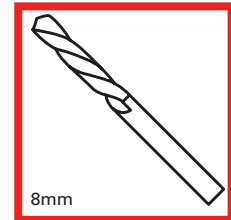
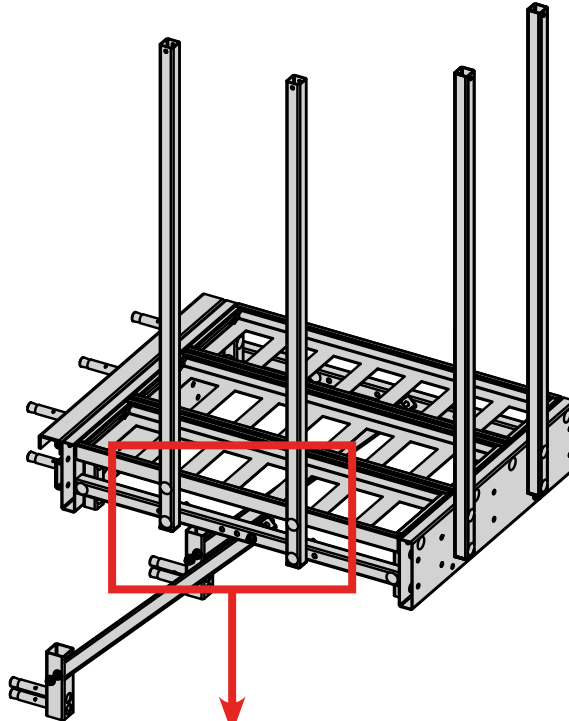
A



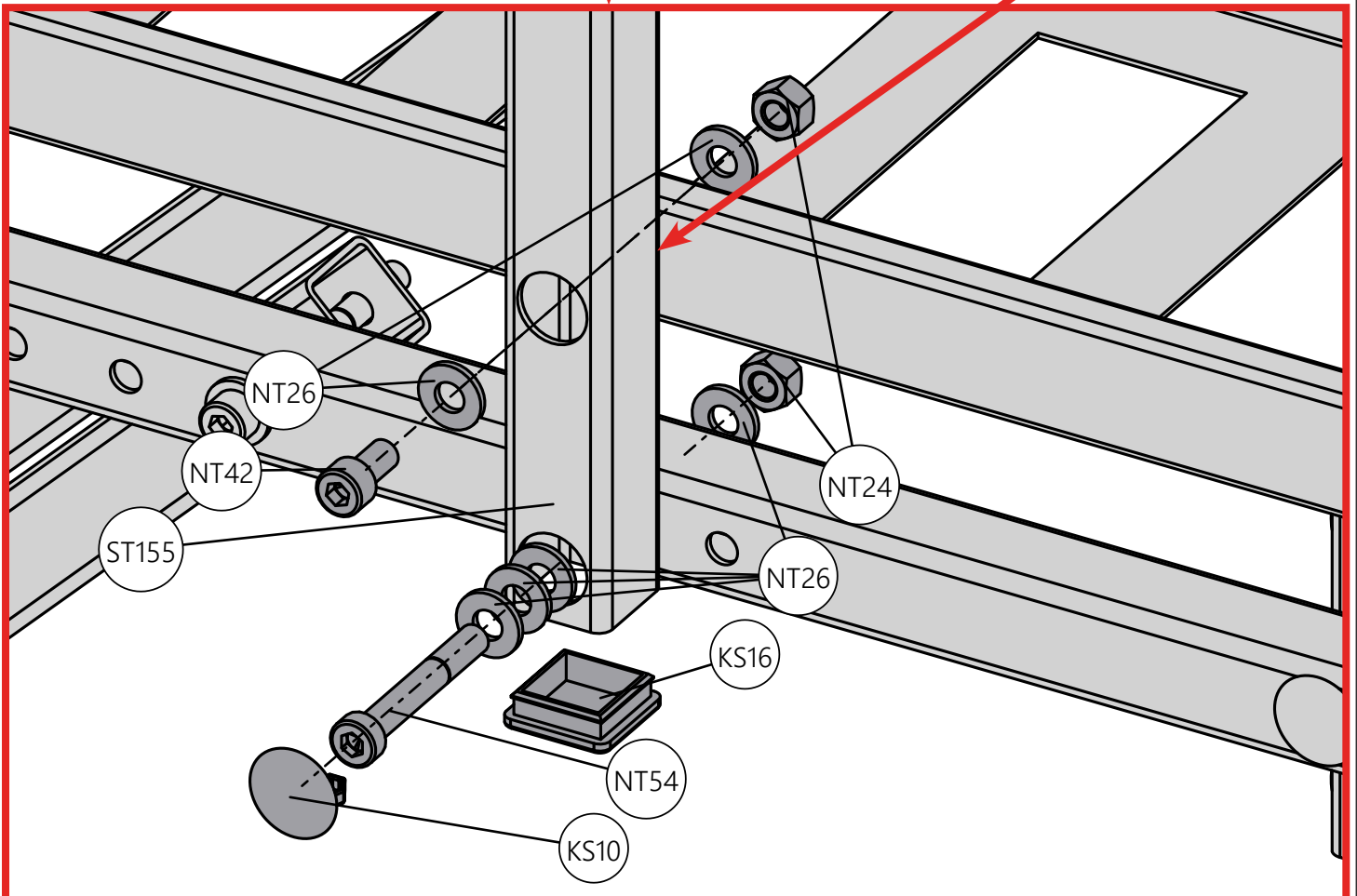
5mm

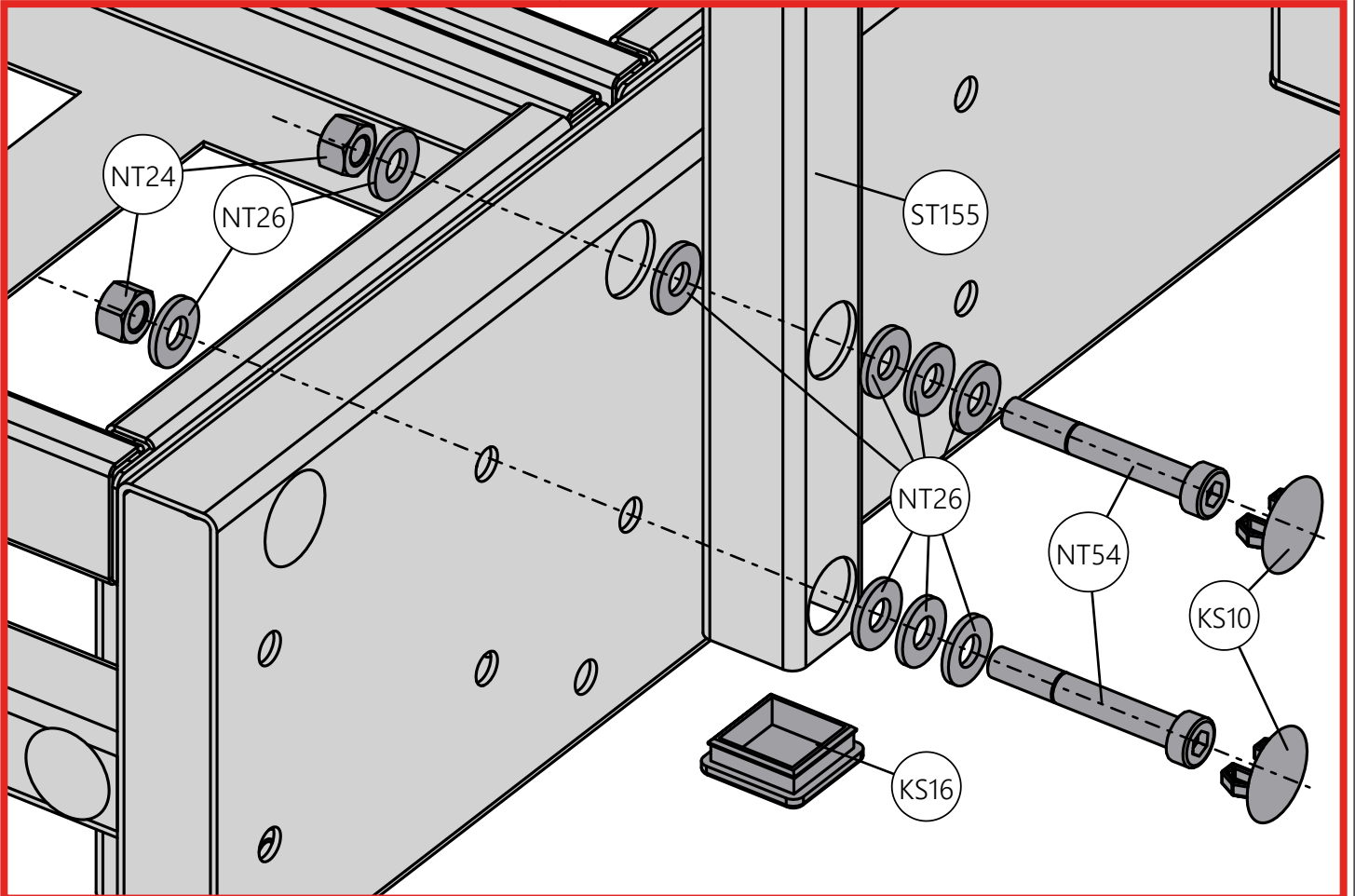
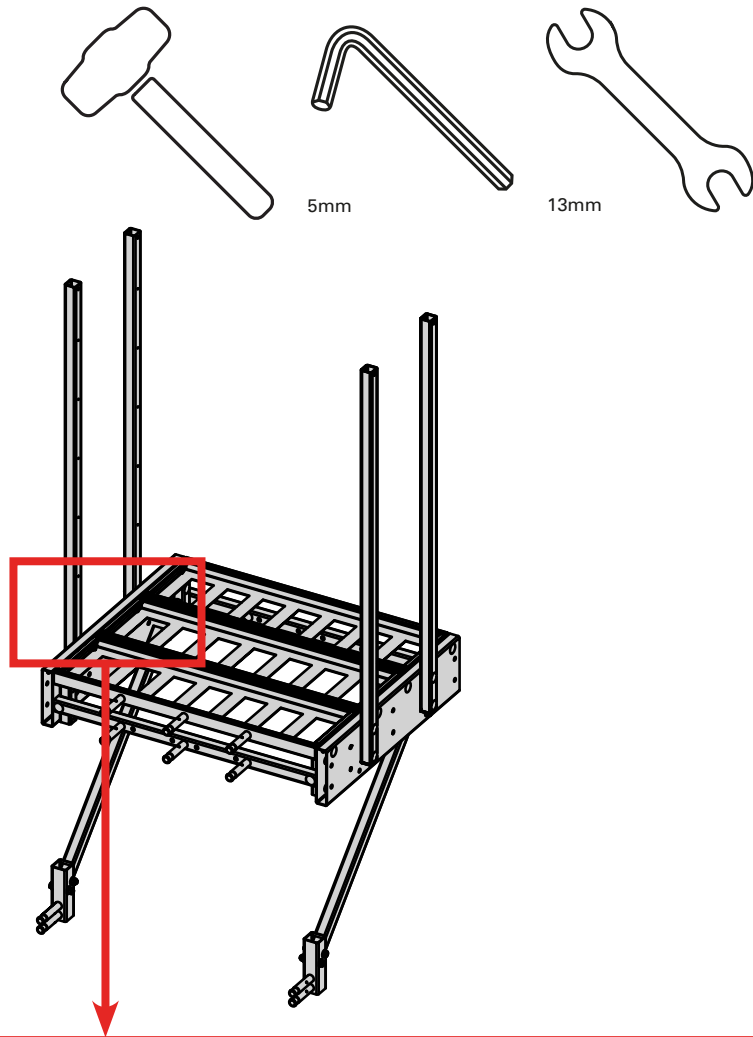


13mm



8mm

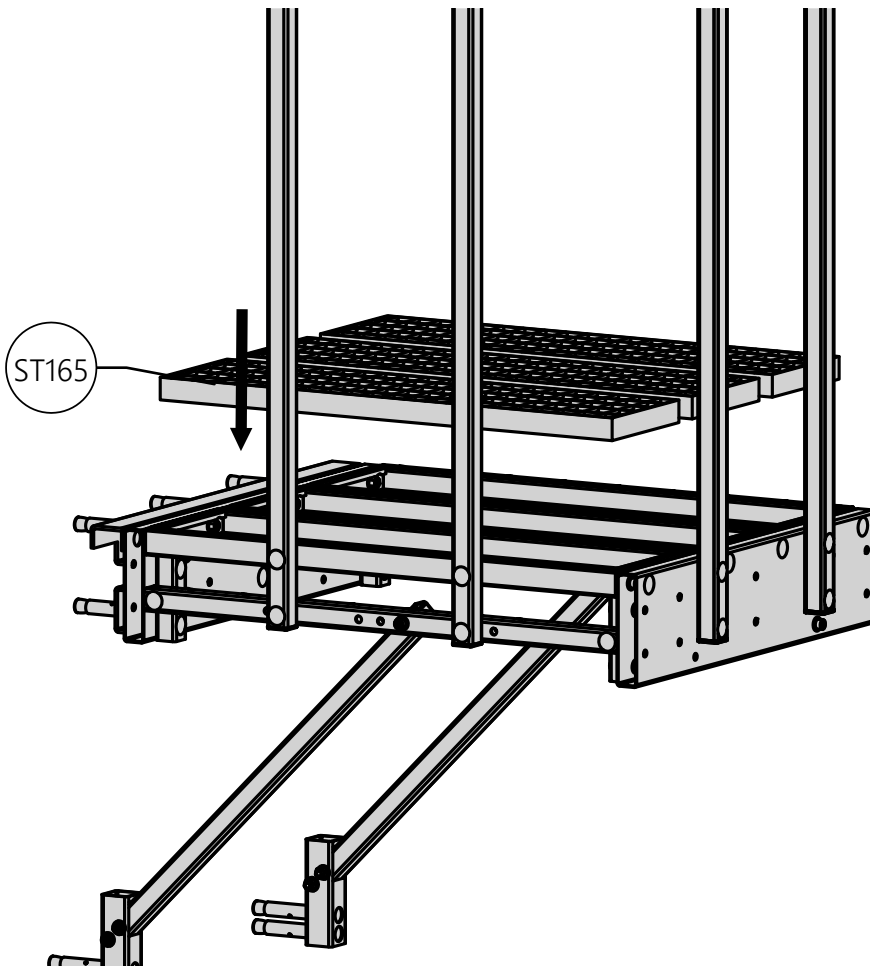
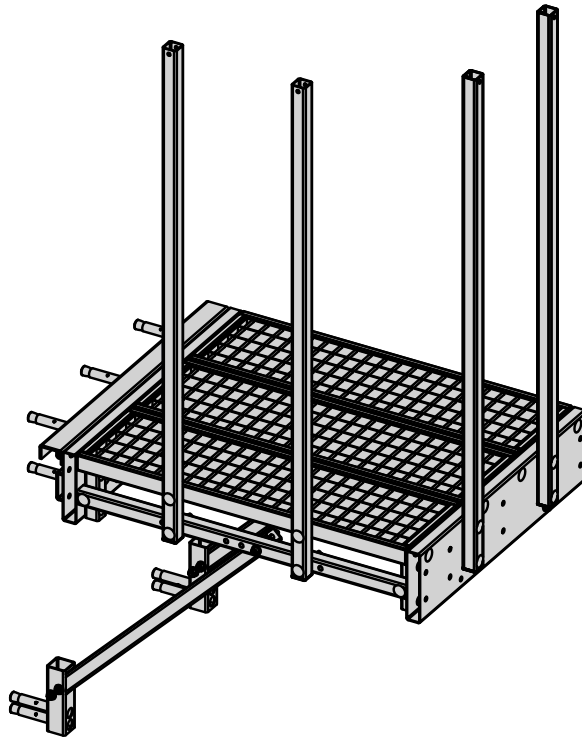


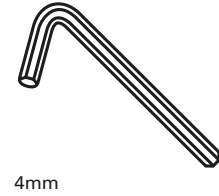
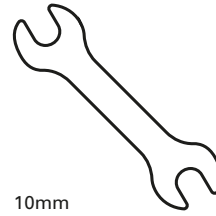


15

A

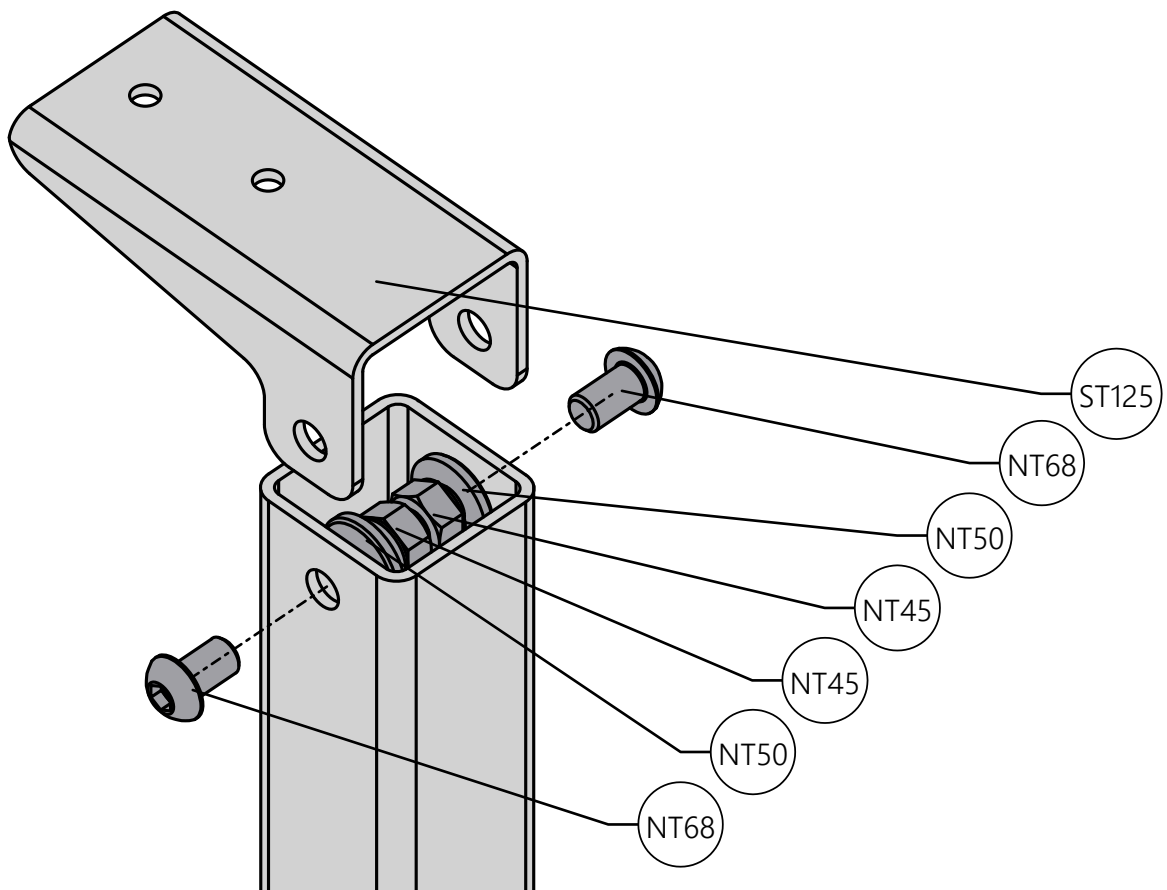
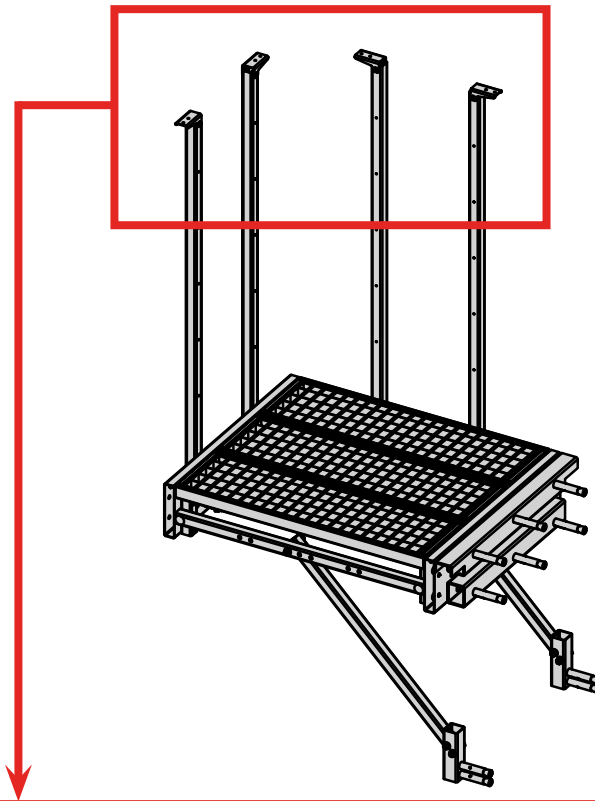
B





A

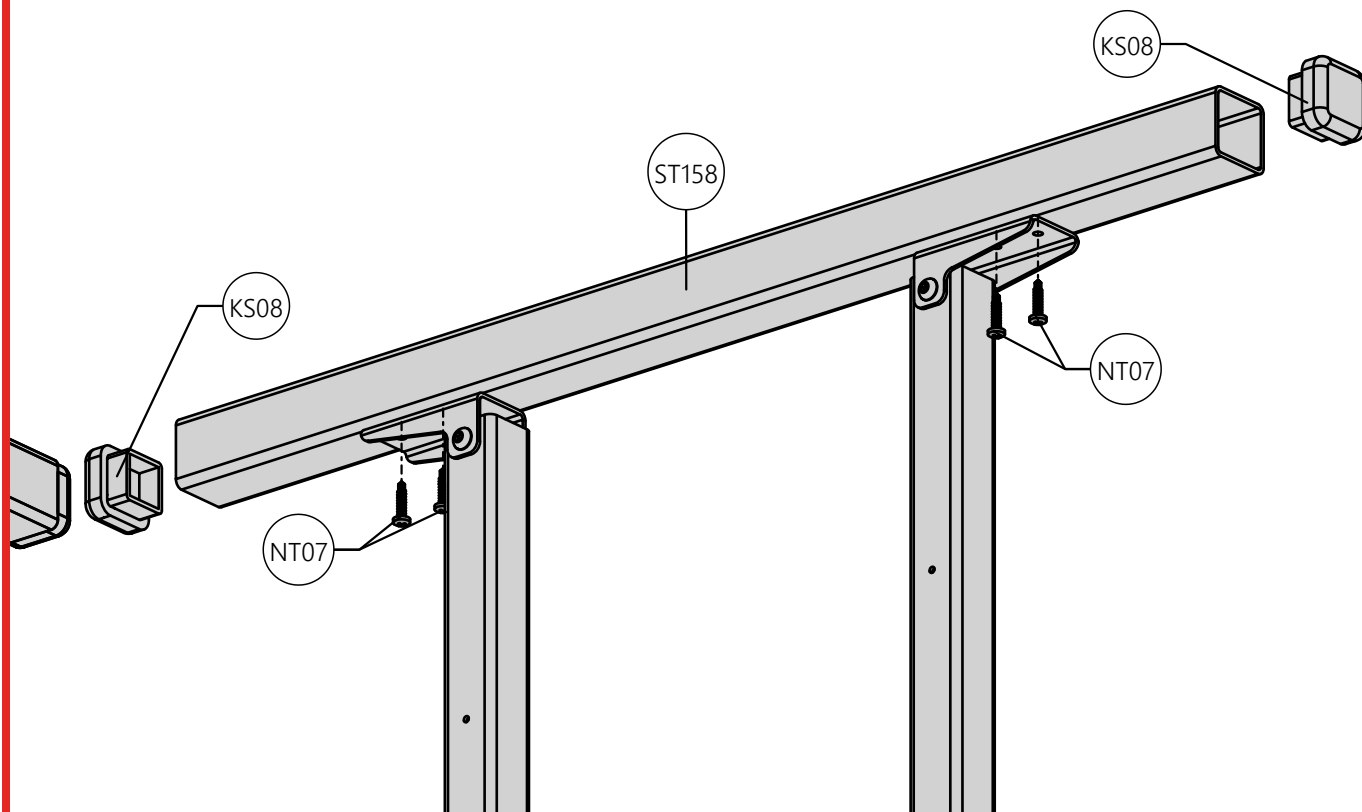
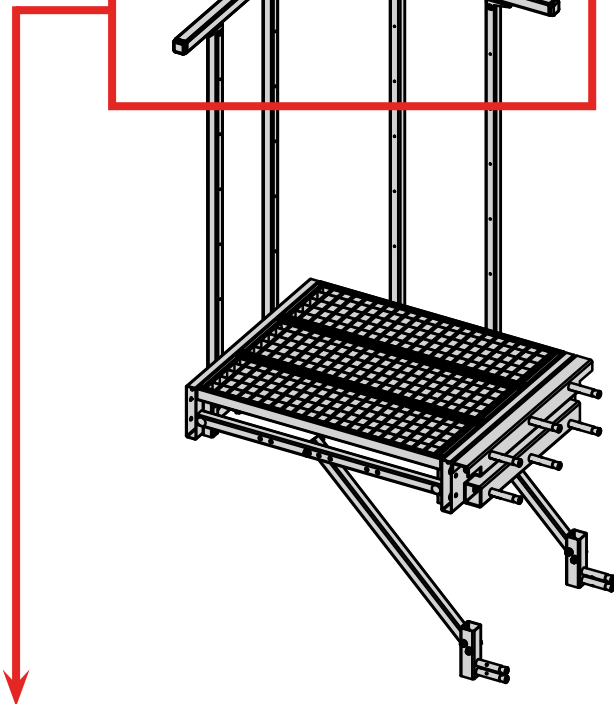
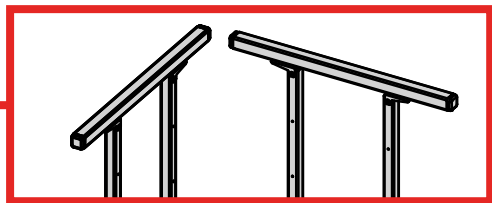
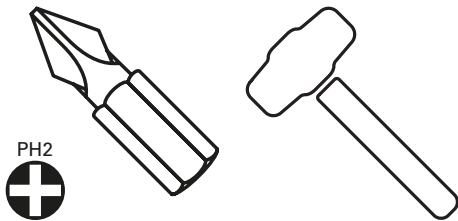
B

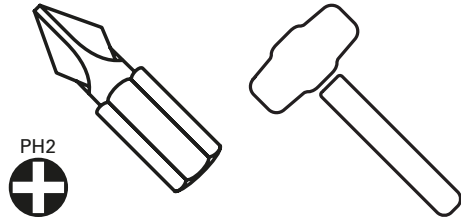


17

A

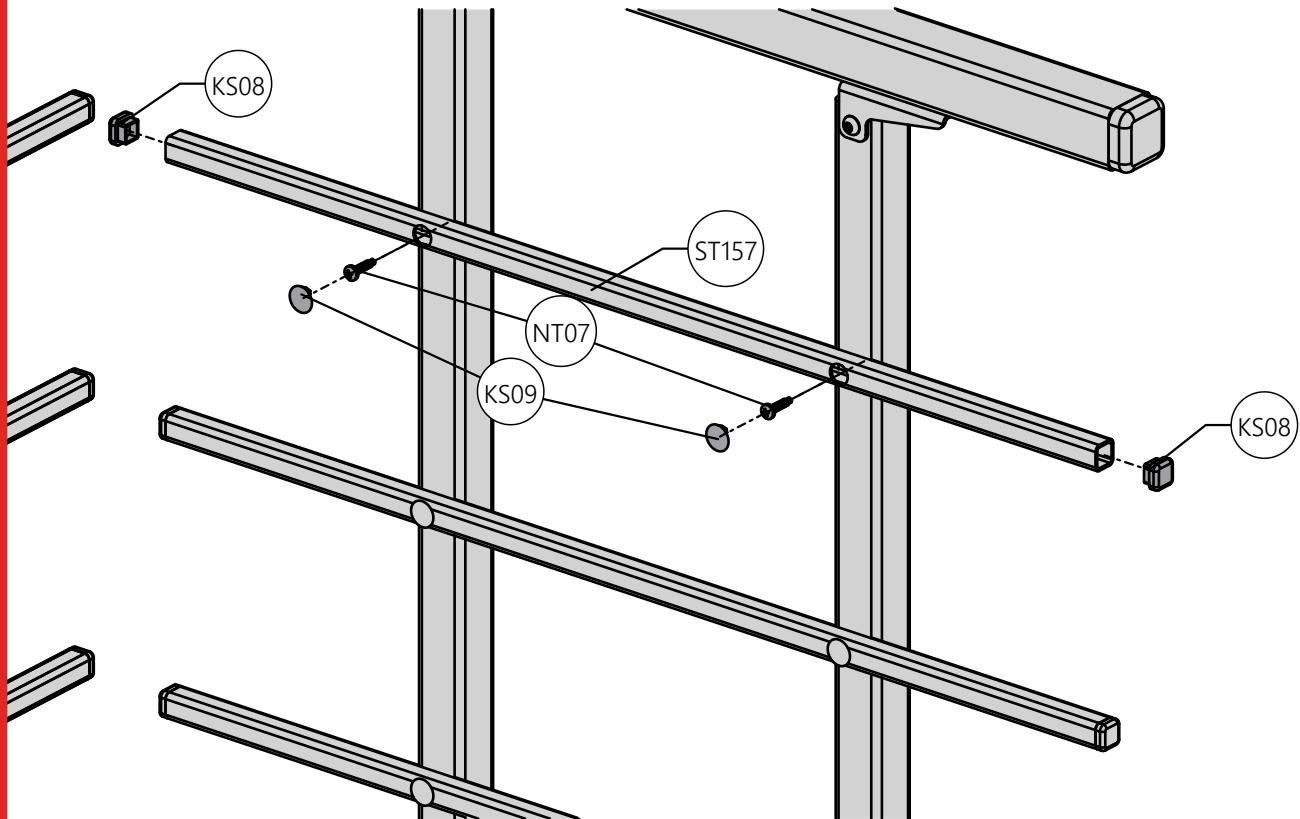
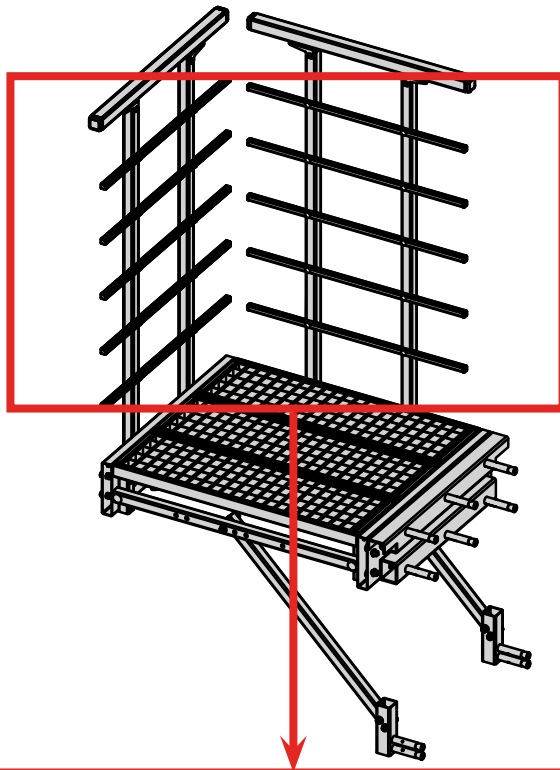
B





A

B



19

A

B

